

Datasheet

Mestic LiFePO4 lithium battery MLBS-200mc smart

The Mestic Lithium batteries deliver smart technology, high performance and maximum safety for every camper, caravan or leisure boat. Their weight is up to 50% less compared to traditional AGM or gel batteries and built with premium Grade A prismatic LiFePO4 cells. LiFePO4 cells ensure stability, long lasting power and excellent durability. With smart connectivity and a compact design, you can enjoy reliable energy wherever you travel, without compromise.

Features

- **Built in heating for charging in extreme cold conditions:** the integrated heater ensures safe charging under 0 °C.
- **Compact, customized casing:** space saving metal housing with shock resistant and fire retardant construction, to fit the limited space of your vehicle (e.g. under the seat of Fiat Ducato).

Communication

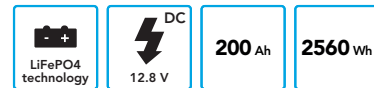
- **Built in display:** always instant insight without a smartphone: charge level, status messages and warnings via LED indicators and on/off button.
- **Full smart connectivity:** WiFi, Bluetooth®, RS485, CAN and CiBus for seamless system integration, real time monitoring and advanced control.
- **Mestic smart app for instant insight:** wireless monitoring of capacity, voltage, temperature and charge status, supported by smart diagnostic tools.

BMS and Protection

The intelligent Smart BMS (Battery Management System) provides complete battery protection for safe and stable performance in every situation. It prevents overcharge, over-discharge, overcurrent and overheating, while advanced cell balancing ensures long term reliability even under heavy loads.



MLBS-200mc smart



- LiFePO4 lithium technology for high power and maximum safety
- Integrated BMS and advanced communication interfaces
- Heating function for charging down to minus 20 °C
- Long life cycle (>3500 cycles at 100% DoD)
- IP65 waterproof class
- LED status display
- Durable and safe metal housing with compact design
- Lightweight and maintenance free
- 5 year warranty



Works seamlessly with
the Mestic smart app

WiFi Bluetooth



Datasheet

Mestic LiFePO4 lithium battery MLBS-200mc smart

Product

| | |
|-------------|---------------|
| Article No. | 1518980 |
| EAN-code | 8712757494569 |

Electrical data

| | |
|--|---------------|
| Nominal voltage | 12.8 V |
| Open circuit voltage | 13.2 V |
| Nominal capacity | 200 Ah |
| Capacity tolerance | 2% |
| Capacity @ 20 A | 600 min |
| Energy | 2560 Wh |
| Resistance | <5 mΩ |
| Self-discharge | <3% per month |
| Cycle life (at 1C, 25 °C, 100% DoD, 80% EoL) | >3500 cycles |

Charging performance

| | |
|------------------------------|--------------------------------|
| Recommended Charge voltage | 14.2~14.6 V |
| Charge Cut-Off voltage | 14.8 V (3.7 V/cell) |
| Reconnect voltage | 13.52 V (3.38 V/cell) |
| Balancing voltage | >3.4 V/cell |
| Recommended Charge current | 60 A |
| Maximum Charge current | 200 A |
| Maximum batteries connection | 4 in series / 8 in parallel |

Discharging performance

| | |
|--------------------------------------|--------------------------------|
| Discharge Cut-Off voltage | 10 V |
| Reconnect voltage | 11.6 V |
| Maximum continuous Discharge current | 200 A |
| Peak Discharge Cut-Off Current | 220 A@5 sec, 300 A@200 msec |
| End of Discharge Voltage | 11.2 V |
| Short circuit protection | 500 μs |

Mechanical data

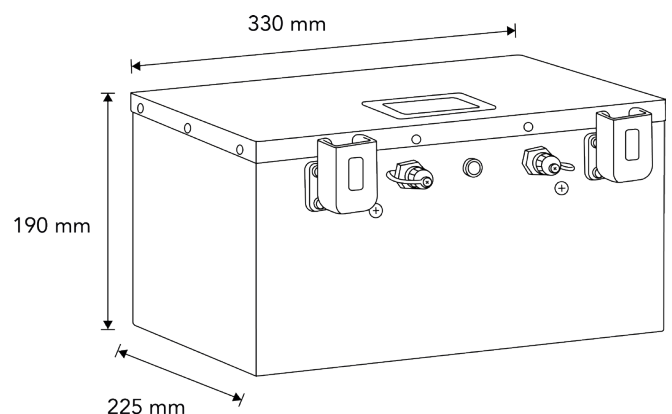
| | |
|---------------|-------------------|
| Weight | 22.7 kg |
| Case material | Metal (SPCC) |
| IP-class | IP65 |
| Cell type | Prismatic/LiFePO4 |
| Terminal type | M8 |

Temperature performance

| | |
|-------------------------------|-----------|
| Charge temperature | -20~50 °C |
| Discharge temperature | -20~55 °C |
| Storage Temperature | -20~55 °C |
| BMS High temperature Cut-Off) | 90 °C |
| Reconnect temperature | 80 °C |
| Operation Relative Humidity | 0-95% |

Dimensions

| | |
|---------------------------------------|--------------------|
| Dimensions (L x W x H) with terminals | 330 x 260 x 190 mm |
| Dimensions (L x W x H) | 330 x 225 x 190 mm |



Compliance data

| | |
|--------------------------|---|
| Certifications | CE, IEC61219, UN38.3, RoHS, MSDS, ECE R10 |
| Shipping classifications | UN 3480; Class 9 |